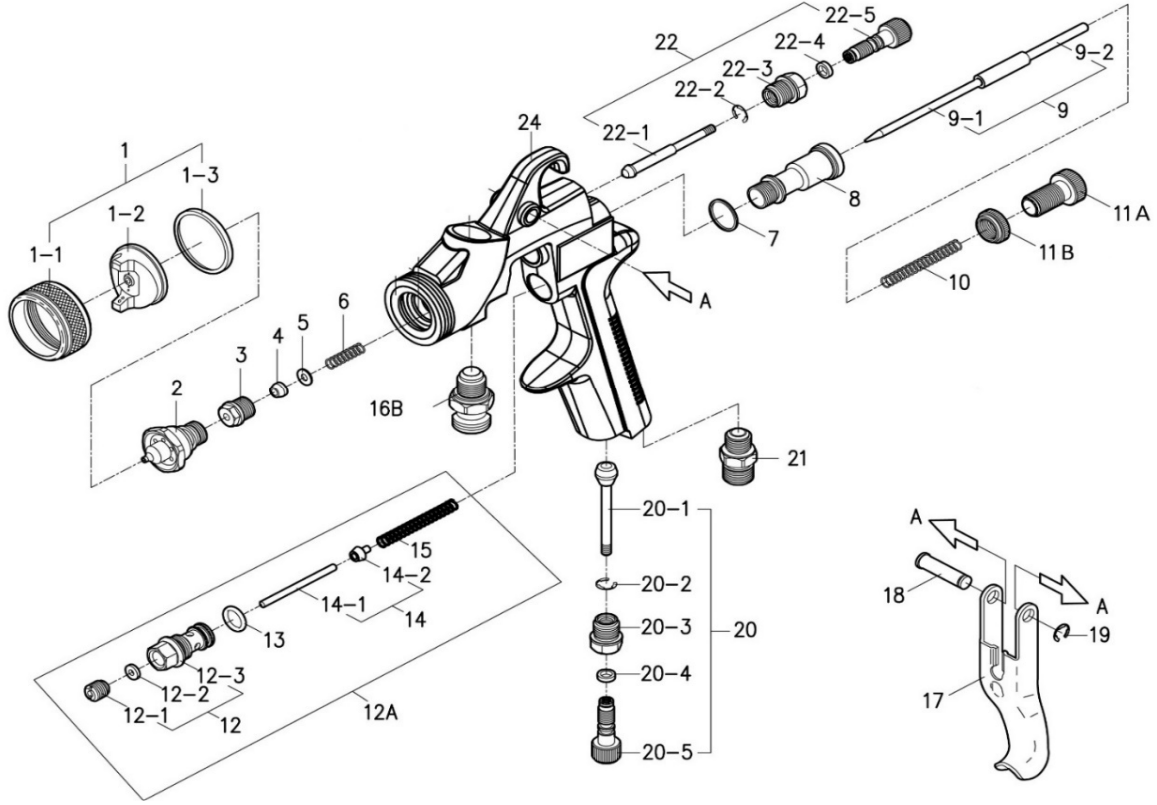


DERMİX NEON

REV.BELGE NO

150925



NO	KODU	RAF	PARÇA ADI	ADET	AÇIKLAMA
1	702D.NEON01	L19	DERMİX NEON HAVA ŞAPKA TAKIMI		
3	702D.NEON03	L22	DERMİX NEON SALMASTRA VİDASI		
4	702D.NEON04	L22	DERMİX NEON SALMASTRA		
5	702D.NEON05	L22	DERMİX NEON SALMASTRA PULU		
6	702D.NEON06	L22	DERMİX NEON SALMASTRA YAYI		
7	702D.NEON07	L22	DERMİX NEON İĞNE YUVA ORİNGİ		
8	702D.NEON08	L22	DERMİX NEON İĞNE YUVASI		
1-2-9	510D.NEONXX	S20	DERMİX NEON İĞNE MEME TAKIMI X.X MM		
10	702D.NEON10	L22	DERMİX NEON İĞNE AYAR YAYI		
11A	702D.NEON11A	L22	DERMİX NEON İĞNE AYAR DÜĞMESİ		
11B	702D.NEON11B	L22	DERMİX NEON İĞNE AYAR DÜĞME STOPERİ		
13	702D.NEON13	L22	DERMİX NEON HAVA VALF CONTASI		
12A	702D.NEON12A	L22	DERMİX NEON HAVA VALFİ		
16B	702D.NEON16B	L22	DERMİX NEON SIVI GİRİŞ REKORU		
17	702D.NEON17	L22	DERMİX NEON TETİK		
18	702D.NEON18	L22	DERMİX NEON TETİK PİMİ		
19	702D.NEON19	L22	DERMİX NEON TETİK SEKMANI		
20	702D.NEON20	L22	DERMİX NEON HAVA AYAR DÜĞMESİ KOMPLE		
21	702D.NEON21	L22	DERMİX NEON HAVA GİRİŞ REKORU		
22	702D.NEON22	L22	DERMİX NEON AÇI AYAR DÜĞMESİ KOMPLE		
24	702D.NEON24	L21	DERMİX NEON GÖVDE		
	522D.NEON23	L20	DERMİX NEON ALT DEPO CONTASI		
	522D.NEON26	L20	DERMİX NEON ALT DEPO DİYAFRAMI		
	508FR.DM2905	MF47	ALTTAN DEPO FİLTRESİ - METAL 80 MESH		
	513D.P1000	MGZ	DERMİX PROF. ALT DEPO KİLİTLİ 1000CC		
	513ST.PC60016	MGZ	PVC ÜST DEPO 600CC - DIŞI 16X1.5 (NEON)		
	702D.NEON27	L22	DERMİX ÜST DEPO SIVI GİRİŞ REKORU		

NOT :

SÜRE :

PERSONEL :